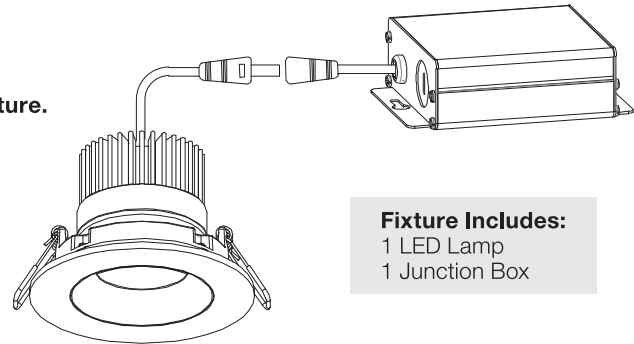


INSTALLATION AND SAFETY INSTRUCTIONS

IMPORTANT: Read before installing fixture. Retain for future reference.

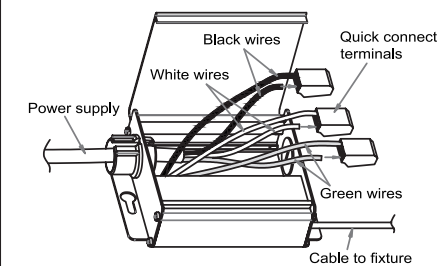
WARNING: Risk of Fire or Electric Shock

- **Disconnect power before installation or any maintenance of the fixture.**
- To avoid damage, falling, electric shock or fire, do not modify the fixture or replace accessories without confirming with the supplier first.
- Only authorized, qualified personnel should install this fixture and should follow the owner's manual.
- Do not dismantle the fixture without the supplier's authorization.
- Do not touch the power supply when the fixture is operating.
- For use in environments where an accumulation of non-conductive dust on the fixture may be expected.
- Suitable for indoor/outdoor installations.



IMPORTANT: This product must be installed in accordance with the applicable installation code by a person familiar with the construction and operation of the product and the hazards involved.

WIRING DIAGRAM



INSTALLATION

TOOLS REQUIRED: Hole saw, measuring tape and connector cables (as needed).

NOTE: Use extensions if necessary. Available connector cables are 6' (1.8m). Connector cables are linkable.

1. Turn power OFF from the electrical panel before starting installation.
2. Cut a hole in the ceiling for the downlight in a suitable position. Refer to Hole Cut Dimension chart (below).
3. Run the electrical wire from the switch (power supply wire) through the mounting hole. Use NMD90 Romex or BX cable. See Figure A.
4. Open the Junction Box swing cover and remove the appropriate knockouts.
5. Insert the power supply wire through the knockout and fasten with a cable connector (not included).
6. Connect wires inside the Junction Box using the quick connect terminals. Connect green ground with the green box wire. Connect the black and white power leads with the matching black and white box wires. See Wiring Diagram.
7. Put all wires and connections back into the box and close the cover securely.
8. **New Construction Applications:** Junction Box shall be firmly secured to the studs, joists or similar fixed structural units.
Remodel Applications: Do not require the Junction Box to be firmly secured to fixed structural units. Remove the Junction Box tabs, then insert into ceiling.
9. Bend back the two torsion springs and slowly fit the fixture through the ceiling hole. The torsion springs will pull the fixture into place. See Figures B & C.
10. Once installation is complete, turn power ON to confirm the fixture is working properly.

Hole Cut Dimensions:

3 1/2" fixture = \varnothing 3 6/10" (92mm)

Figure A

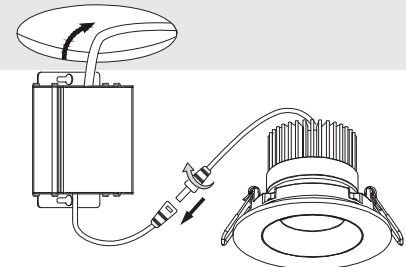


Figure B

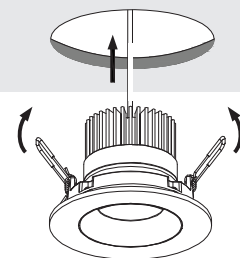


Figure C

